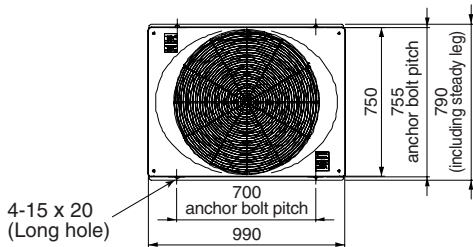


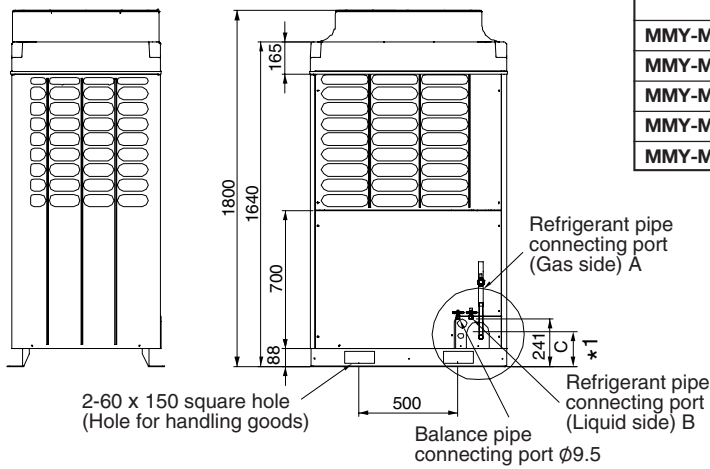
# Outdoor module

**MMY-MAP0501T8, MAP0601T8, MAP0801T8, MAP1001T8, MAP1201T8**  
**MMY-MAP0501HT8, MAP0601HT8, MAP0801HT8, MAP1001HT8, MAP1201HT8**  
**MMY-MAP0501HT7, MAP0601HT7, MAP0801HT7, MAP1001HT7, MAP1201HT7**



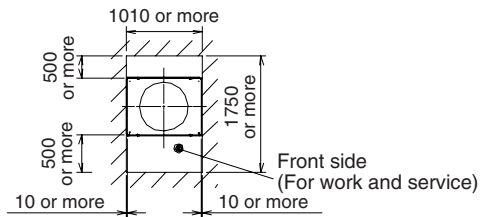
**(NOTES)**

1. If there is an obstacle above the outdoor unit, ensure there is a minimum space of 2000mm or more above the unit.
2. Any obstacle around the perimeter of the outdoor unit must be kept 800mm or less.
3. Draw out the locally supplied piping at the front of the outdoor unit horizontally, keep a minimum of 500mm or more between the outdoor unit and traversing pipe. If the pipework is to be installed in this method.

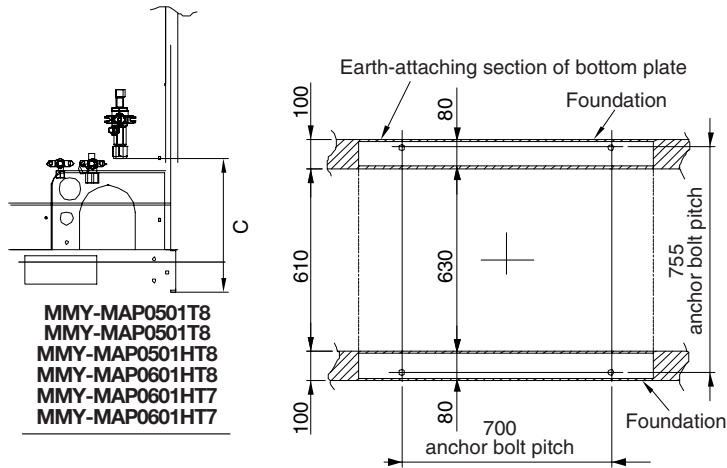
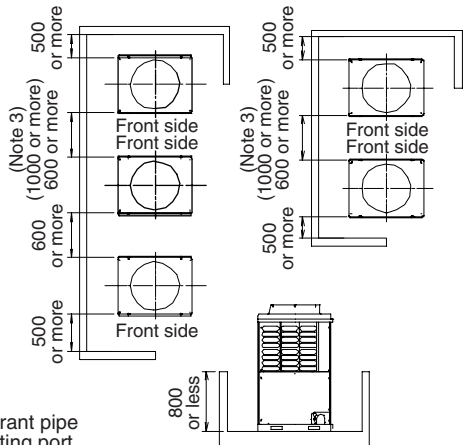


Applied model	A	B	C
MMY-MAP0501T8, MAP0501HT8, MAP0501HT7	ø15.9	ø9.5	280
MMY-MAP0601T8, MAP0601HT8, MAP0601HT7	ø19.1	ø9.5	280
MMY-MAP0801T8, MAP0801HT8, MAP0801HT7	ø22.2	ø12.7 (205)	
MMY-MAP1001T8, MAP1001HT8, MAP1001HT7	ø22.2	ø12.7 (205)	
MMY-MAP1201T8, MAP1201HT8, MAP1201HT7	ø28.6	ø12.7 (205)	

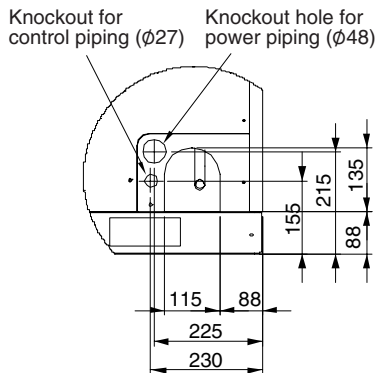
\*1 Cutting position of L-shape pipe when pipe at gas side is connected (Recommended pipe connecting position)



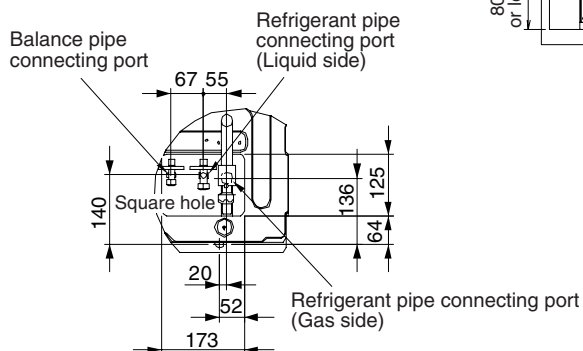
**Space required for service**



MMY-MAP0501T8  
 MMY-MAP0501HT8  
 MMY-MAP0601HT8  
 MMY-MAP0601HT7



Details of front pipe/cabling holes



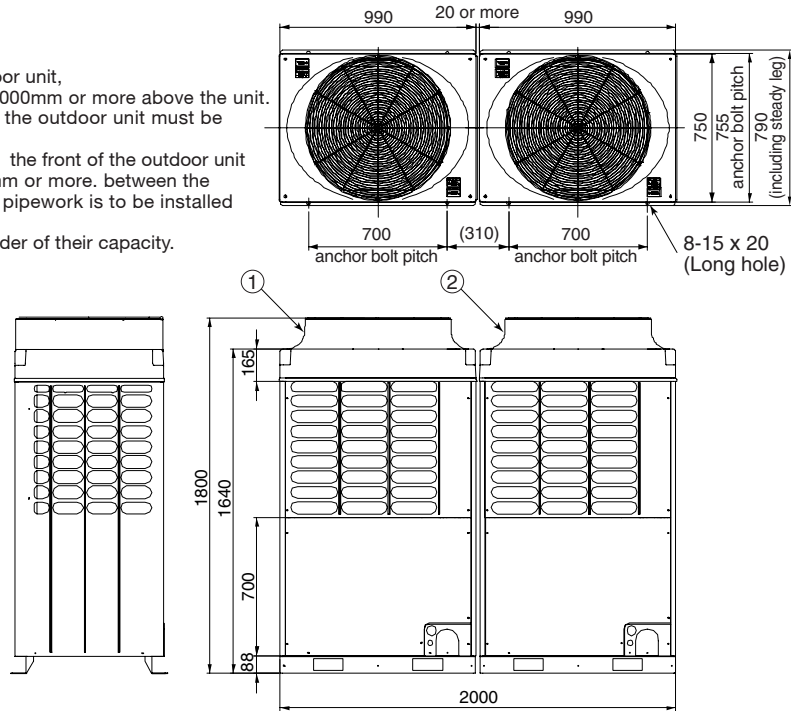
Details of hole for piping at lower side (Plane view)

## Two units connected

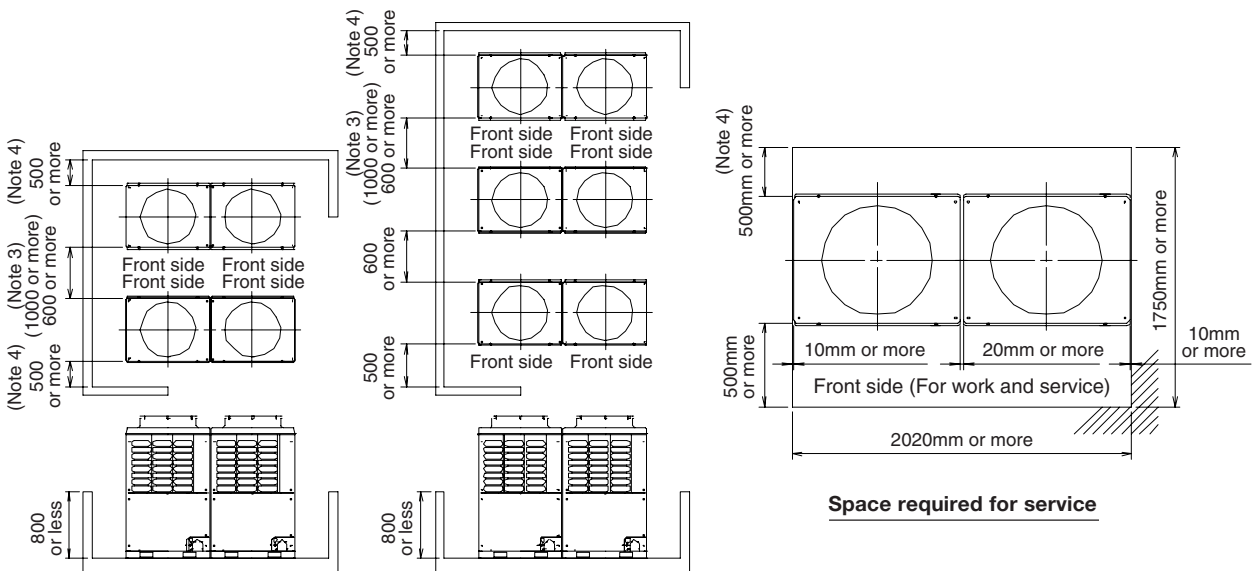
**MMY-AP1401T8, AP1601T8, AP1801T8, AP2001T8, AP2211T8, AP2411T8**  
**MMY-AP1401HT8, AP1601HT8, AP1801HT8, AP2001HT8, AP2211HT8, AP2411HT8**  
**MMY-AP1401HT7, AP1601HT7, AP1801HT7, AP2001HT7, AP2211HT7, AP2411HT7**

### (NOTES)

1. If there is an obstacle above the outdoor unit, ensure there is a minimum space of 2000mm or more above the unit.
2. Any obstacle around the perimeter of the outdoor unit must be kept 800mm or less.
3. Draw out the locally supplied piping at the front of the outdoor unit horizontally, keep a minimum of 500mm or more between the outdoor unit and traversing pipe. If the pipework is to be installed in this method.
4. Arrange each of the outdoor units in order of their capacity. (Header ≥ Follower)



Combination unit	Combination outdoor unit	
	Header	Follower
MMY-AP1401T8, AP1401HT8, AP1401HT7	MMY-MAP0801T8, MAP0801HT8, MAP0801HT7	MMY-MAP0601T8, MAP0601HT8, MAP0601HT7
MMY-AP1601T8, AP1601HT8, AP1601HT7	MMY-MAP0801T8, MAP0801HT8, MAP0801HT7	MMY-MAP0801T8, MAP0801HT8, MAP0801HT7
MMY-AP1801T8, AP1801HT8, AP1801HT7	MMY-MAP1001T8, MAP1001HT8, MAP1001HT7	MMY-MAP0801T8, MAP0801HT8, MAP0801HT7
MMY-AP2001T8, AP2001HT8, AP2001HT7	MMY-MAP1001T8, MAP1001HT8, MAP1001HT7	MMY-MAP1001T8, MAP1001HT8, MAP1001HT7
MMY-AP2211T8, AP2211HT8, AP2211HT7	MMY-MAP1201T8, MAP1201HT8, MAP1201HT7	MMY-MAP1001T8, MAP1001HT8, MAP1001HT7
MMY-AP2411T8, AP2411HT8, AP2411HT7	MMY-MAP1201T8, MAP1201HT8, MAP1201HT7	MMY-MAP1201T8, MAP1201HT8, MAP1201HT7



## Three units connected

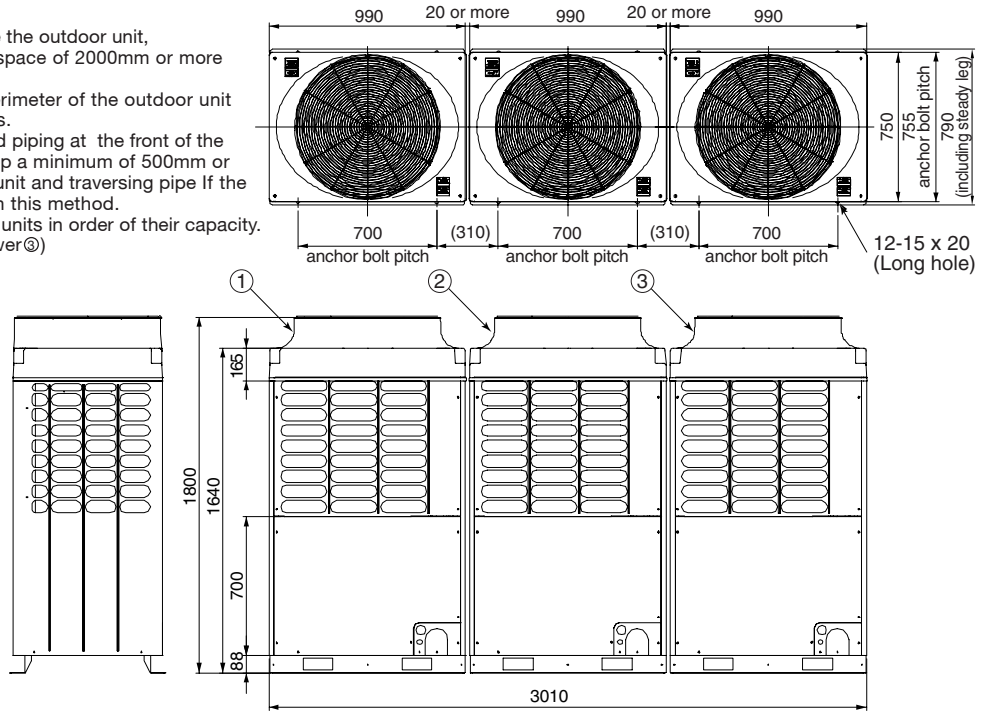
**MMY-AP2201T8, AP2401T8, AP2601T8, AP2801T8, AP3001T8, AP3211T8, AP3411T8, AP3611T8**

**MMY-AP2201HT8, AP2401HT8, AP2601HT8, AP2801HT8, AP3001HT8, AP3211HT8, AP3411HT8, AP3611HT8**

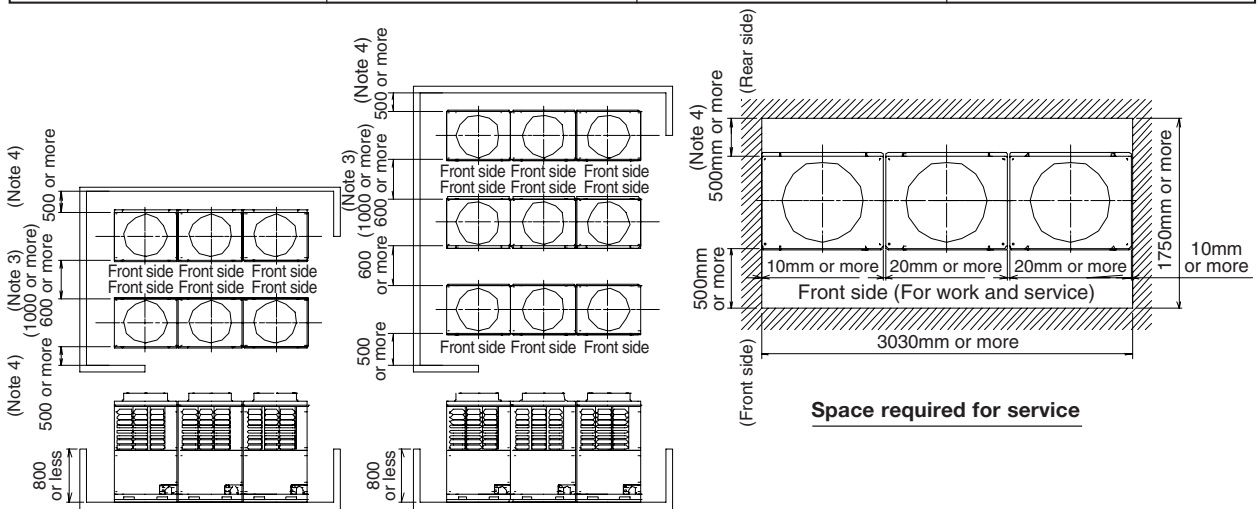
**MMY-AP2201HT7, AP2401HT7, AP2601HT7, AP2801HT7, AP3001HT7, AP3211HT7, AP3411HT7, AP3611HT7**

### (NOTES)

1. If there is an obstacle above the outdoor unit, ensure there is a minimum space of 2000mm or more above the unit.
2. Any obstacle around the perimeter of the outdoor unit must be kept 800mm or less.
3. Draw out the locally supplied piping at the front of the outdoor unit horizontally, keep a minimum of 500mm or more. between the outdoor unit and traversing pipe. If the pipework is to be installed in this method.
4. Arrange each of the outdoor units in order of their capacity. (Header ≥ Follower ≥ Follower)



Combination unit	Combination outdoor unit		
	Header	Follower	Follower
MMY-AP2201T8, HT8, HT7	MMY-MAP0801T8, HT8, HT7	MMY-MAP0801T8, HT8, HT7	MMY-MAP0601T8, HT8, HT7
MMY-AP2401T8, HT8, HT7	MMY-MAP0801T8, HT8, HT7	MMY-MAP0801T8, HT8, HT7	MMY-MAP0801T8, HT8, HT7
MMY-AP2601T8, HT8, HT7	MMY-MAP1001T8, HT8, HT7	MMY-MAP0801T8, HT8, HT7	MMY-MAP0801T8, HT8, HT7
MMY-AP2801T8, HT8, HT7	MMY-MAP1001T8, HT8, HT7	MMY-MAP1001T8, HT8, HT7	MMY-MAP0801T8, HT8, HT7
MMY-AP3001T8, HT8, HT7	MMY-MAP1001T8, HT8, HT7	MMY-MAP1001T8, HT8, HT7	MMY-MAP1001T8, HT8, HT7
MMY-AP3221T8, HT8, HT7	MMY-MAP1201T8, HT8, HT7	MMY-MAP1001T8, HT8, HT7	MMY-MAP1001T8, HT8, HT7
MMY-AP3411T8, HT8, HT7	MMY-MAP1201T8, HT8, HT7	MMY-MAP1201T8, HT8, HT7	MMY-MAP1001T8, HT8, HT7
MMY-AP3611T8, HT8, HT7	MMY-MAP1201T8, HT8, HT7	MMY-MAP1201T8, HT8, HT7	MMY-MAP1201T8, HT8, HT7

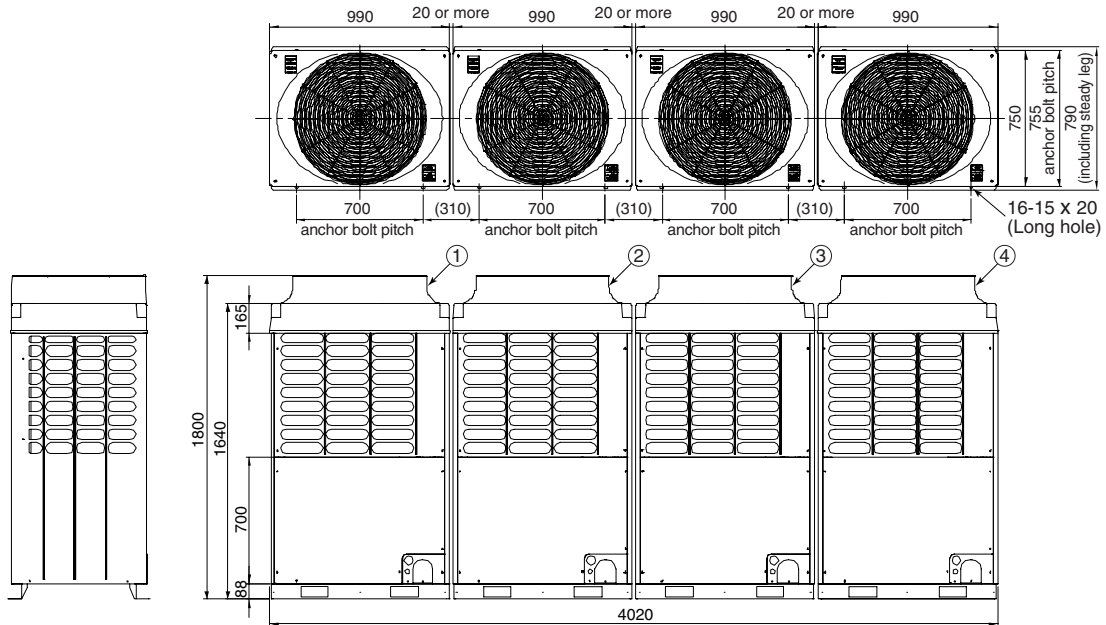


## Four units connected

MMY-AP3201T8, AP3401T8, AP3601T8, AP3801T8, AP4001T8, AP4201T8, AP4401T8, AP4601T8, AP4801T8

MMY-AP3201HT8, AP3401HT8, AP3601HT8, AP3801HT8, AP4001HT8, AP4201HT8, AP4401HT8, AP4601HT8, AP4801HT8

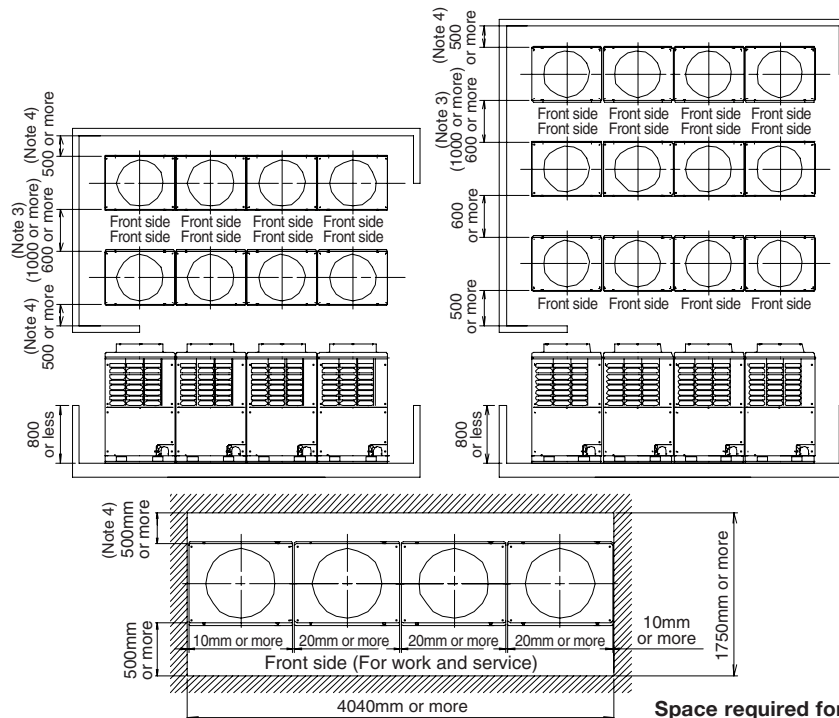
MMY-AP3201HT7, AP3401HT7, AP3601HT7, AP3801HT7, AP4001HT7, AP4201HT7, AP4401HT7, AP4601HT7, AP4801HT7



Combination unit	Combination outdoor unit			
	Header	Follower	Follower	Follower
MMY-AP3201T8, HT8, HT7	MMY-MAP0801T8, HT8, HT7	MMY-MAP0801T8, HT8, HT7	MMY-MAP0801T8, HT8, HT7	MMY-MAP0801T8, HT8, HT7
MMY-AP3401T8, HT8, HT7	MMY-MAP1001T8, HT8, HT7	MMY-MAP0801T8, HT8, HT7	MMY-MAP0801T8, HT8, HT7	MMY-MAP0801T8, HT8, HT7
MMY-AP3601T8, HT8, HT7	MMY-MAP1001T8, HT8, HT7	MMY-MAP1001T8, HT8, HT7	MMY-MAP0801T8, HT8, HT7	MMY-MAP0801T8, HT8, HT7
MMY-AP3801T8, HT8, HT7	MMY-MAP1001T8, HT8, HT7	MMY-MAP1001T8, HT8, HT7	MMY-MAP1001T8, HT8, HT7	MMY-MAP0801T8, HT8, HT7
MMY-AP4001T8, HT8, HT7	MMY-MAP1001T8, HT8, HT7	MMY-MAP1001T8, HT8, HT7	MMY-MAP1001T8, HT8, HT7	MMY-MAP1001T8, HT8, HT7
MMY-AP4201T8, HT8, HT7	MMY-MAP1201T8, HT8, HT7	MMY-MAP1001T8, HT8, HT7	MMY-MAP1001T8, HT8, HT7	MMY-MAP1001T8, HT8, HT7
MMY-AP4401T8, HT8, HT7	MMY-MAP1201T8, HT8, HT7	MMY-MAP1201T8, HT8, HT7	MMY-MAP1001T8, HT8, HT7	MMY-MAP1001T8, HT8, HT7
MMY-AP4601T8, HT8, HT7	MMY-MAP1201T8, HT8, HT7	MMY-MAP1201T8, HT8, HT7	MMY-MAP1201T8, HT8, HT7	MMY-MAP1001T8, HT8, HT7
MMY-AP4801T8, HT8, HT7	MMY-MAP1201T8, HT8, HT7	MMY-MAP1201T8, HT8, HT7	MMY-MAP1201T8, HT8, HT7	MMY-MAP1201T8, HT8, HT7

### (NOTES)

- If there is an obstacle above the outdoor unit, ensure there is a minimum space of 2000mm or more above the unit.
- Any obstacle around the perimeter of the outdoor unit must be kept 800mm or less.
- Draw out the locally supplied piping at the front of the outdoor unit horizontally, keep a minimum of 500mm or more between the outdoor unit and traversing pipe. If the pipework is to be installed in this method.
- Arrange each outdoor unit in order of its capacity.  
(Header  $\geq$  Follower $\textcircled{2}$   $\geq$  Follower $\textcircled{4}$ )



Space required for service