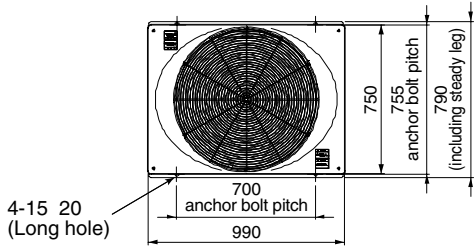


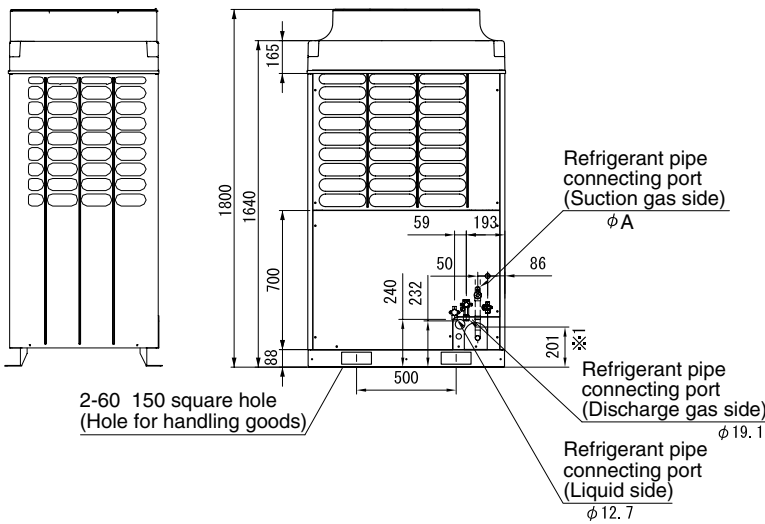
# 2. Outdoor unit

## MMY-MAP0802FT8, MAP1002FT8, MAP1202FT8



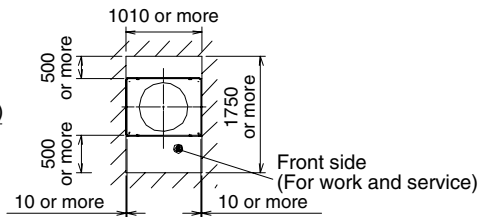
**(NOTES)**

1. If there is an obstacle above the outdoor unit, ensure there is a minimum space of 2000mm or more above the unit.
2. Any obstacle around the perimeter of the outdoor unit must be kept 800mm or less.
3. Draw out the locally supplied pipe at the the front of the outdoor unit horizontally, keep a minimum of 500mm or more between the outdoor unit and traversing pipe. If the pipework is to be installed in this method.

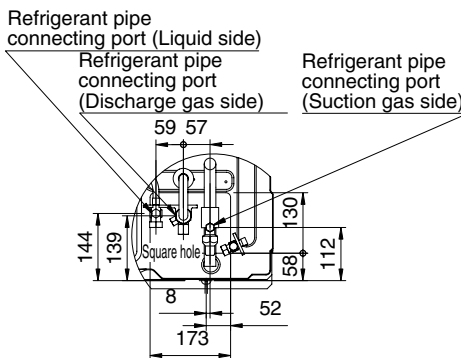
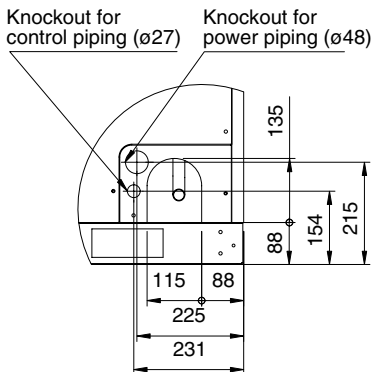
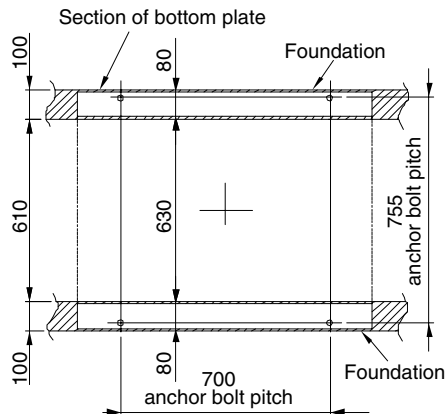
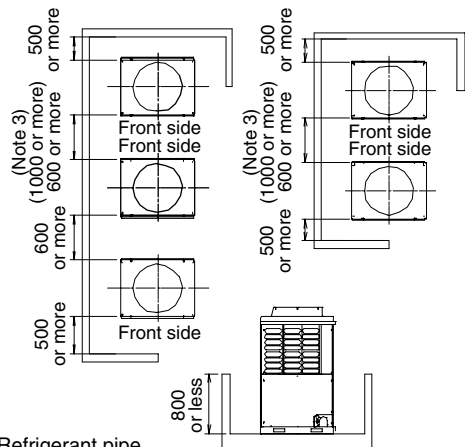


Model name	φ A
MMY-MAP0802FT8	22.2
MMY-MAP1002FT8	22.2
MMY-MAP1202FT8	28.6

\*1 Cutting position of L-shape pipe when pipe at gas side is connected (Recommended pipe connecting position)



**Space required for service**



Details of front pipe/cabling holes

Details of hole for piping at lower side (Plane view)

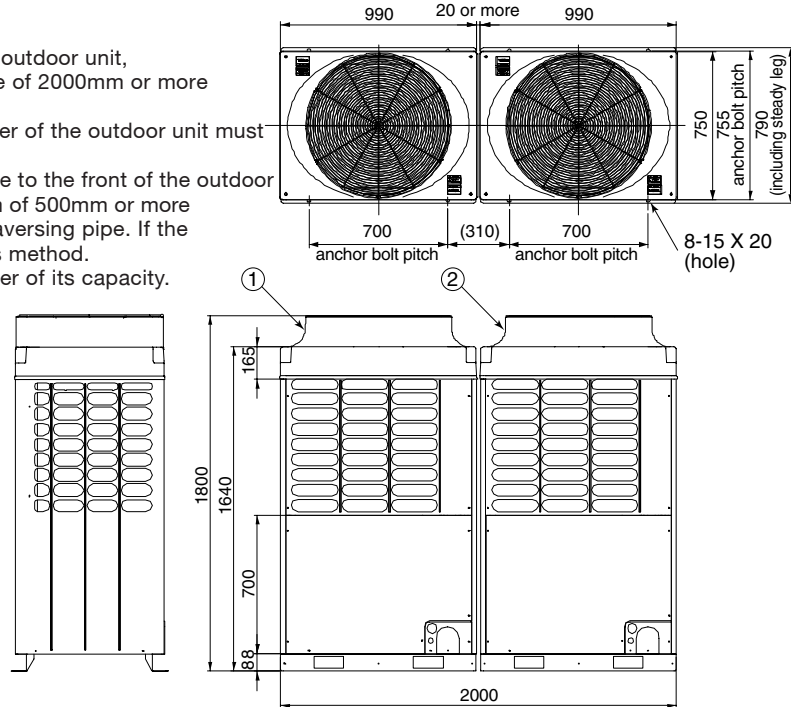
Note: All dimensions are in mm.

## <Two units connected>

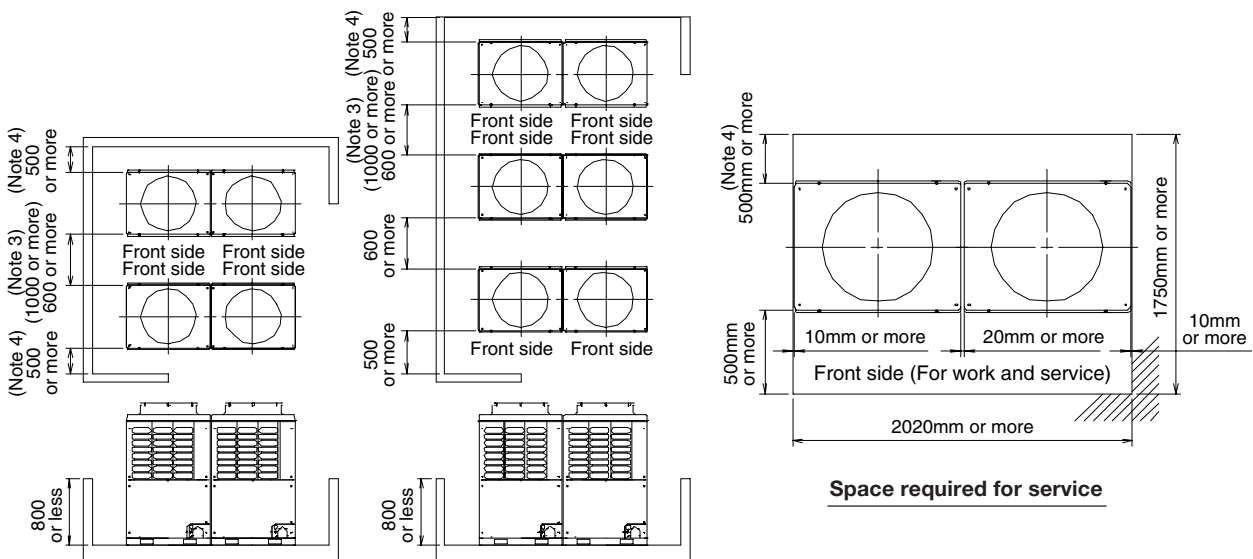
### MMY-AP1602FT8, AP1802FT8, AP2002FT8

#### (NOTES)

- 1.If there is an obstacle above the outdoor unit, ensure there is a minimum space of 2000mm or more above the unit.
- 2.Any obstacle around the perimeter of the outdoor unit must be kept 800mm or less.
- 3.Draw out the locally supplied pipe to the front of the outdoor unit horizontally, keep a minimum of 500mm or more between the outdoor unit and traversing pipe. If the pipework is to be installed in this method.
- 4.Arrange each outdoor unit in order of its capacity. (Header > Follower)



Combination unit	Combination outdoor unit	
	Header	Follower
MMY-AP1602FT8	MAP0802FT8	MAP0802FT8
MMY-AP1802FT8	MAP1002FT8	MAP0802FT8
MMY-AP2002FT8	MAP1002FT8	MAP1002FT8



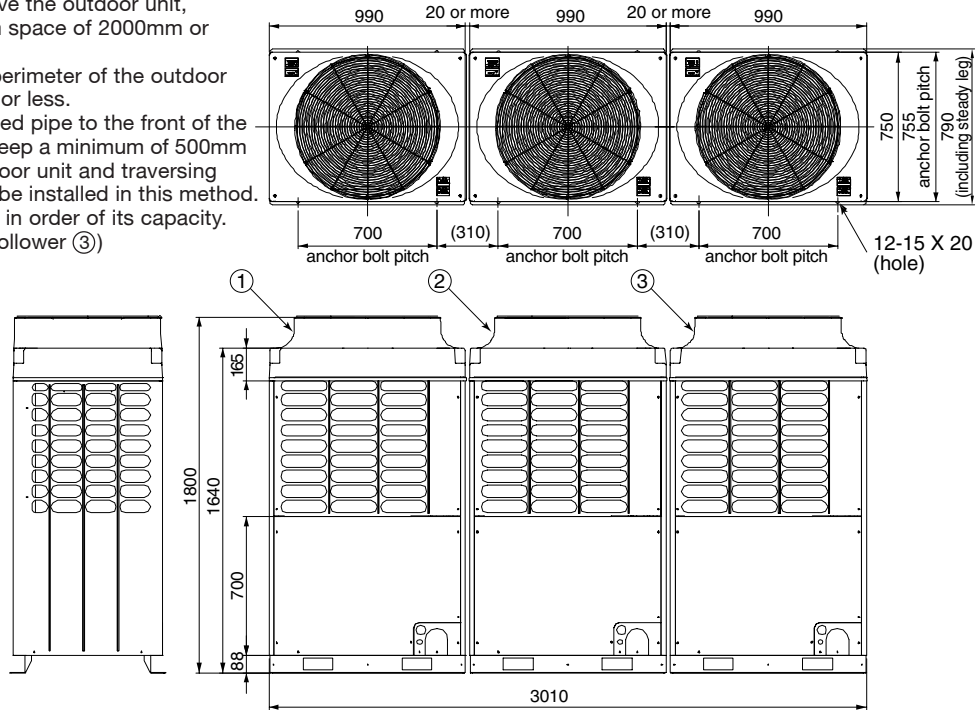
Note: All dimensions are in mm.

## <Three units connected>

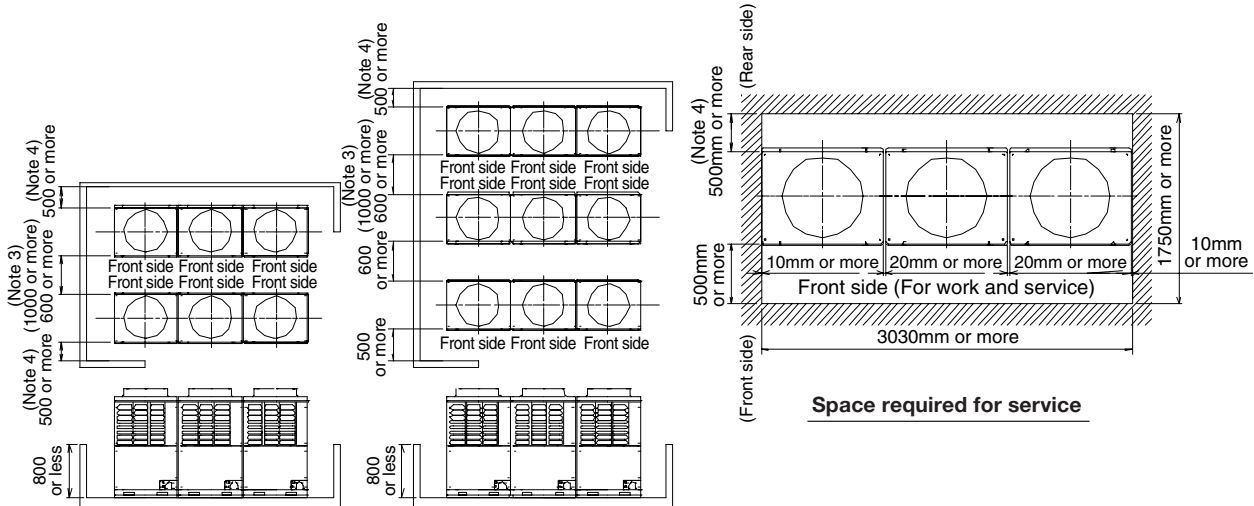
### MMY-AP2402FT8, AP2602FT8, AP2802FT8, AP3002FT8

#### (NOTES)

1. If there is an obstacle above the outdoor unit, ensure there is a minimum space of 2000mm or more above the unit.
2. Any obstacle around the perimeter of the outdoor unit must be kept 800mm or less.
3. Draw out the locally supplied pipe to the front of the outdoor unit horizontally, keep a minimum of 500mm or more between the outdoor unit and traversing pipe. If the pipework is to be installed in this method.
4. Arrange each outdoor unit in order of its capacity.  
(Header  $\geq$  Follower ②  $\geq$  Follower ③)



Combination unit	Combination outdoor unit		
	Header	Follower ②	Follower ③
MMY-AP2402FT8	MMY-MAP0802FT8	MMY-MAP0802FT8	MMY-MAP0802FT8
MMY-AP2602FT8	MMY-MAP1002FT8	MMY-MAP0802FT8	MMY-MAP0802FT8
MMY-AP2802FT8	MMY-MAP1002FT8	MMY-MAP1002FT8	MMY-MAP0802FT8
MMY-AP3002FT8	MMY-MAP1002FT8	MMY-MAP1002FT8	MMY-MAP1002FT8



Note: All dimensions are in mm.